



SERIES "QLX-MRS QUICKIE II"

TYPE: _____
 CATALOGUE #: _____
 NOTES: _____



QLX500/QLXN500



LCA-2MR



UQLXN500R/G-2MR

QLX-MRS Thermoplastic Family

AC only and self-powered exit signs in red or green. Self-powered combination exit-emergency lighting unit in red or green with MR16 lamps.

Listed to UL 924 Standards

- Lead Calcium (combo and emergency lighting units)
- Nickel-Cadmium (self-powered exits)



Features

- Injection-molded thermoplastic housing.
- Innovative, snap together design allows for fast installation.
- Replaceable knockout directional chevron's.
- UL924 listed.
- Low energy consumption LED light source.

■ QLX500/QLXN500

- 120/277 Vac, 60Hz input.
- Universal mounting comes complete with 2 face plates, 1 back plate, and canopy.
- Replaceable Ni-Cad battery provided.
- Provides 3 hours of continuous emergency illumination.

■ QLXN500R/G-2MRS features

- Sealed Lead-Calcium 6V battery.
- Dual voltage 120/277Vac input.
- Comes complete with two face plates, one back plate, and canopy.
- Two adjustable glare free light heads.
- MR16 halogen lamps with front glass cover.

Ordering Information

Exit Sign : AC Only & Self-Powered _____ *Example: QLX500R*

Model	Letter Color	Options
QLX500= AC only	R= red	DL= damp location listed
QLXN500= self-powered	G= green	

Accessories

(Order as separate item)

Wire guard, exit, wall mount	WG1-L
Wire guard, exit, end/ceiling mount	WG5-L

Accessories

(Order as separate item)

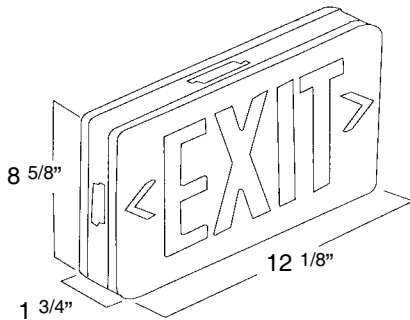
Wire guard, combo, wall mount	WG2-L
Replacement MR16 lamp, 6V	580.0072

Combo Exit & Emergency Lighting Unit _____ *Example: QLXN500R-2MRS*

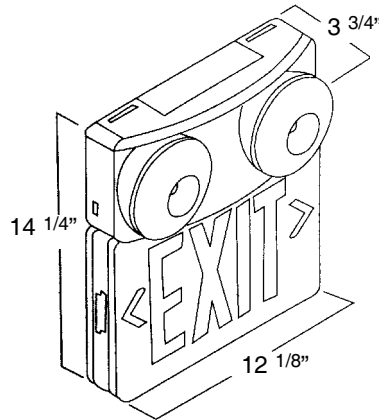
Model	Letter Color	Lamps	Style	Color
QLXN500= self-powered	R= red	-2MR= 2 MR16 lamps Tv-5W	S= small deco	Blank= factory white
QLX500= ac only	G= green			B= black

Specifications For Series "QLX-MR QUICKIE II"

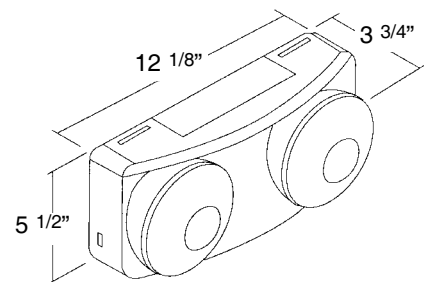
AC-only self-powered exit



Combination exit and emergency lighting unit



Emergency lighting unit



Specification

QLX500/QLXN500 Exit Sign

The contractor will install the Lightalarms _____ exit. The exit shall be suitable for wall, end, or ceiling mount. The face shall be constructed of a durable high impact thermoplastic. No screws are necessary to hold the face plate or canopy to the housing. The face plates shall come standard with snap out arrows. The frame shall be constructed of a one-piece thermoplastic mold. This sign shall be 120/277 VAC input and be UL924 listed. The Exit in self powered configurations will stay illuminated during emergency operation for no less than 3 hours upon AC failure.

Note: This fixture is offered as A/C only or self-powered. If a remote DC input is required refer to the Lightalarms UXQLR series.

QLXN500R/G-2MRS Combination unit

The contractor will install the Lightalarms _____ combo unit. The combo unit shall be suitable for wall, end, or ceiling mount. The face shall be constructed of a durable high impact thermoplastic. No screws are necessary to hold the face plate or canopy to the housing. The face plates shall come standard with snap out arrows. The frame shall be constructed of a one-piece thermoplastic mold. This sign shall have dual voltage input 120/277Vac and be UL924 listed. The combo unit will come complete with 2 directional heads, glare free MR16 lamps with front glass cover and remain illuminated in emergency mode for a period of 90 minutes.

Note: This unit cannot power remote heads. If this feature is required refer to the Lightalarms X2 series.

*Battery Warranty:

Unit batteries are warranted as follows:

Lead Calcium

(combination unit)

3 years full warranty; 3 years pro-rata warranty

Nickel-Cadmium (exit sign) 5 years full warranty; 5 years pro-rata warranty

*Unit Warranty:

Entire unit (excluding lamps) carries a 3-year full warranty



Thomas & Betts